



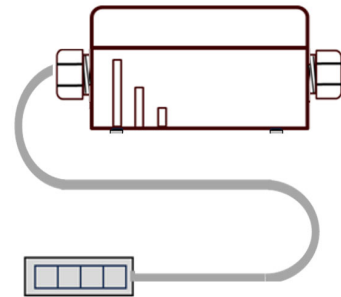
The HPS2- Series (H_cs) is designed to prevent dew formation on pipes or flat surfaces

The Pipe / Surface Condensation Switch with extended sensor

The Pipe / Surface Condensation Switch has two Status LED's

The Pipe / Surface Condensation Switch operates with lower power supply

The relay switching outputs are potential free
(SPDT)

**Use**

Compatible to all common HVAC DDC and Analog Controls systems, with/without Building Automation System

Used in all common HVAC applications

Used in Commercial and Industrial Buildings

Features

Low voltage, relay switching output

Condensation detection of conductive water or similar liquids via a extended sensor

LED's for Status Detection

Status LED's can be enabled

Calibration potentiometer for the measuring sensitivity

Professional and practical product design, withstands rough environmental conditions

Easy to use, install and maintain

Product Range

Order Code	Power Supply	Measured	Relay Switching Output	Measuring Connection	Sensor Type	LED's	Protection
HPS2G.OA	AC/DC 24V ($\pm 10\%$)	Conductive water or similar liquids	SPDT Output Switching Load 3 A	2 m extended cable	Electrolytic conductance	Green= Normal Operation Red= Condensation	IP54 to IEC60529
HPS2G.PA				5 m extended cable			

Sensor	Sensor Specification	Measured	Conductive water or similar liquids
		Sensing Type, condensation	Electrolytical conductance measurement
		Response time	30sec for 75% r.h. rise
		Switching point (default)	~85% r.h.
		Switching hysteresis	±5% r.h.
		Operating Range	0...100% r.h.
Technical Information	Electrical Information	Power Supply	AC/DC 24 V (±10 %)
		Frequency	50 / 60 Hz at AC 24 V
		Relay Rating	24 V / 3 A - peak 5 A
		Relay Type	Relay SPDT
		Terminal Clamp	Screw terminal, max. 1.3 mm ²
	Mechanical Information	Cable Entry	M16 x 1.5
		Sensing Element Position	end of the extended cable
	User Interface	LED	Green = No liquid detected
			Red = Liquid detected
		Potentiometer	Detection Sensibility Potentiometer
	Extended Cable	Grey PVC	2/5m cable lengths - ~ 4.6mm
	Colour and Materials	Housing Cover	ABS, white
		Housing Bottom	ABS, white
		Cable Gland	M16 x 1.5 mm , white
		Gland Rubber	Transparent
	Environmental Conditions	Operation Ter	5 °C to +60 °C
		Operation Hum	< 85 % RH, no condensation
		Transport Ter	5 % RH to 95 % RH, no condensation
		Transport Humidity	< 90 % RH
		Storage Temperature	-10 °C to +70 °C
		Storage Humidity	< 85 % RH, no condensation
		Norms and Directives	IP-Rating
	Safety Class		III to EN 60 730
	Product Standard 1		Automatic Electric. Controls for household and similar use
	Product Standard 2		2009/EN 60 730-1
	CE Conformities to		2004/108/EG Electromagnetic Compatibility EMV
	CE Electromagnetic Compatibility Emitted Interference		2000/EN60730-1 Emitted Interference
	CE Electromagnetic Compatibility Interference resistance		2000/EN60730-1 Interference Resistance
	RoHS Compatibility		RoHS 3, Directive 2015/863
	Operation Climatic Condition		IEC 60 721-3-3
	Operation Mechanical Condition		IEC 60 721-3-2 to class2M2
	Transport to Climatic Condition		IEC 60 721-3-2
Transport Mechanical Condition	IEC 60 721-3-2 to class2M2		
Storage Climatic Condition	IEC 60 721-3-1		
Storage Mechanical Condition	IEC 60 721-3-1 to class2M2		
Miscellaneous	Accessories	Mounting Kit, Included in delivery	cable fastener 300mm / thermal past
	Shipping & Handling	Minimum Order	1 box with 1 piece
		Package Material	Rigid Cardboards Packaging
	Order Notes	Order Code	See Product Range, Page 1, e.g. HPS2G.MG

All information and technical data are subject to alteration

Installation Notes

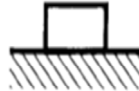


Observe the following general regulation for engineering and implementation:

- All relevant national and heavy power regulation
- Other country specific regulations
- Country-specific regulations
- Local electrical supply authority regulation
- Schematics, cable listings, dispositions, specification and arrangements from the customer or engineering office in charge
- Third party specifications, e.g. general contractors or constructors

Advices

Mounting Advices



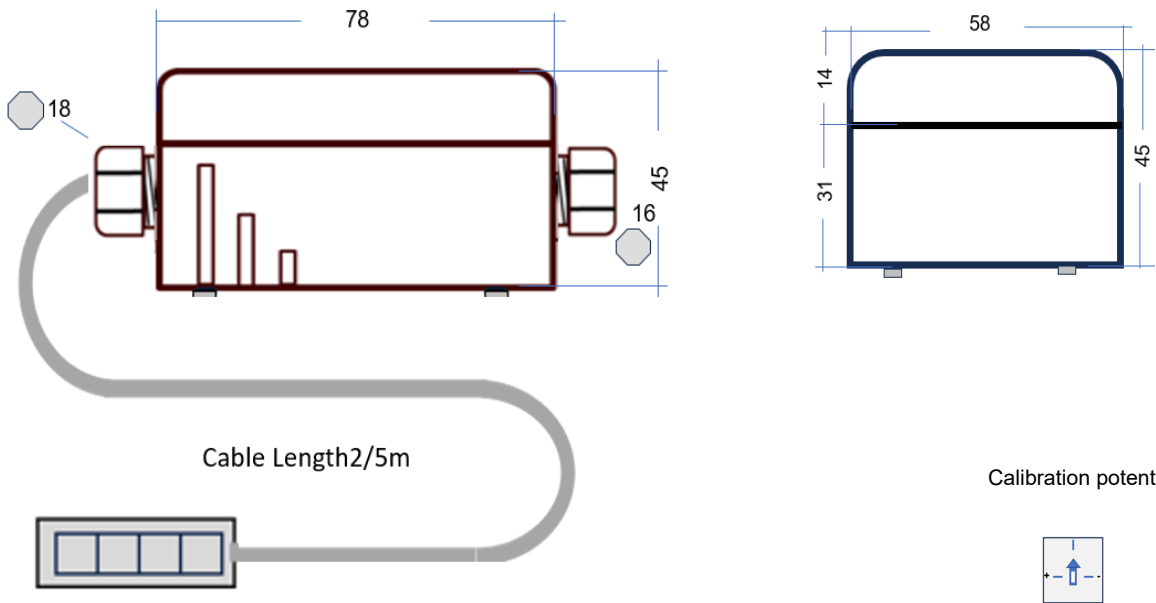
Disposal Notes

The device is considered an electronic device for disposal in terms of the EUROPEAN DIRECTIVE 2012/19/EU.



- The device may not be disposed as domestic garbage.
- The device must be disposed through channels provided for this purpose.
- It is mandatory to complying with local currently applying laws and regulations.

Dimensional Drawing



Connection

Terminal Connections

Power Supply		Relay			Sensor	
GND	24V AC/DC	COM	NO	NC (default)	T1	T2