



DS185en

**Data Sheet**

TRP2-Series (T)

**Pendulum Temperature Sensor**

The TRP2-Series (T) is designed to measure temperature in large rooms or areas

Professional design suitable for plant or utility rooms

The sensor comes with a 2 m connection cable, other lengths available

The temperature sensor output is passive

**Use**

Compatible to all common HVAC DDC and Analog Controls systems, with/without Building Automation System

Used in all common HVAC applications

Used in Commercial and Industrial Buildings

**Features**

Sensor with passive output

All Sensors with outstanding accuracy

Different cable lengths available

Professional design

Easy to use, install and maintain

**Product Range**

Order Codes	Sensor Output*	Cable Lengths	Sensor Accuracy	Cable Color	IP Rating
TRP2G.BG	PT1000	2 m	±0.15 °C @ 0 °C DIN EN 60751, class A	Black	IP65 to IEC60529
TRP2G.BP	NTC10k		±0.25 °C @ 25 °C		

\*Other sensing elements are available. Contact your Sales Manager for more information

<b>Sensor Specification</b>	<b>Sensor Specification</b>	Measured	Temperature	
		Sensor Characteristics	Passive	
		Sensor Output (s)	PT, NTC	
		Measuring Current	<1 mA	
		Accuracy		
		PT	±0.15 °C @ 0 °C DIN EN 60751, class A	
		NTC	±0.25 °C @ 25 °C	
		Standard Measuring Range (s)	0 °C to +50 °C	
		Total Measuring Range (s)	-50 °C to +150 °C	
<b>Technical Information</b>	<b>Mechanical Information</b>	Cable Length	2 m	
		Cable Lead Diameter	Ø0.25 mm	
		Cable Diameter	Ø4.6 mm	
		Sensor Pocket Lengths	150 mm	
		Sensor Pocket Diameter	Ø19.5 mm	
	<b>User Interface</b>	N/A		
	<b>Color and Materials</b>	Cable	PVC, black	
		Sensor Pocket	Stainless Steel, ABS	
	<b>Environmental Conditions</b>	Operation Temperature	0 °C to +70 °C	
		Operation Humidity	<85 % RH, no condensation	
		Transport Temperature	-35 °C to +70 °C	
		Transport Humidity	<90 % RH	
		Storage Temperature	-10 °C to +70 °C	
	<b>Norms and Directives</b>	IP-Rating	IP65 in accordance with IEC60529	
		REACH Regulation	Regulation (EC) No. 1907/2006	
		Product Safety	Safety class III, in accordance with EN IEC 60730-1	
		Product Standard	Automatic electrical controls for household and similar use in accordance with EN IEC 60730-1:2022	
		CE Compliance	IEC/EN60730-1	
		RoHS Compliance, in accordance with	Directive 2011/65/EU, as amended by (EU) 2015/863	
		Operation Climatic Condition	IEC 60 721-3-3	
		Operation Mechanical Condition	IEC 60 721-3-2 to class2M2	
		Transport to Climatic Condition	IEC 60 721-3-2	
		Transport Mechanical Condition	IEC 60 721-3-2 to class2M2	
		Storage Climatic Condition	IEC 60 721-3-1	
		Storage Mechanical Condition	IEC 60 721-3-1 to class2M2	
	<b>Miscellaneous</b>	<b>Accessories</b>	N/A	
		<b>Shipping &amp; Handling</b>	Minimum Order	1 box with 2 pieces
		Package Material	Rigid cardboard packaging	
<b>Order Notes</b>		Order Code	See product range, page 1 e.g. TRP2G.BG	

**Installation Notes**

Observe the following general regulation for engineering and installation:



All relevant national and local electrical installation codes

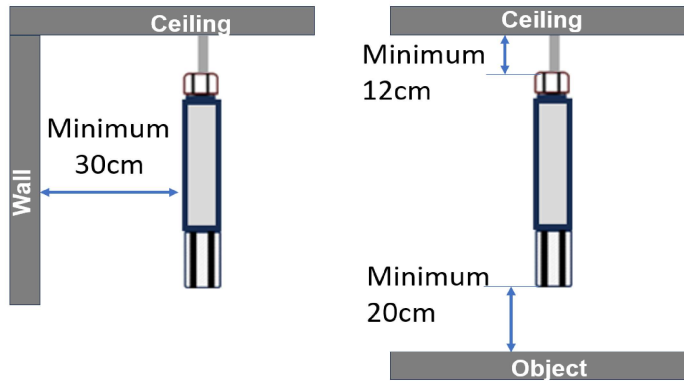
Other country-specific regulations

Comply with all local safety regulations, schematics, cable listings, dispositions, specifications, and arrangements from the engineering office in charge

Third-party specifications, e.g., general contractors' or constructors' notes

**Mounting Advices**

Advices



**Disposal Notes**

The device is considered an electronic device for disposal in terms of the European Directive 2012/19/EU

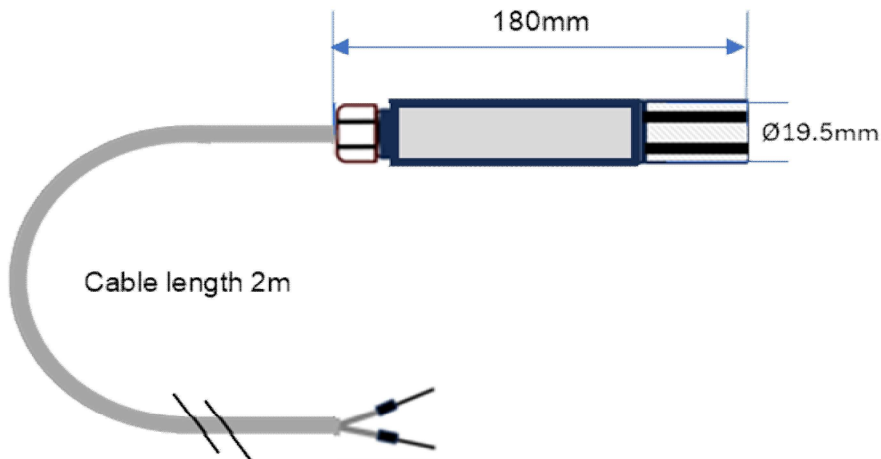


The device may not be disposed as domestic garbage

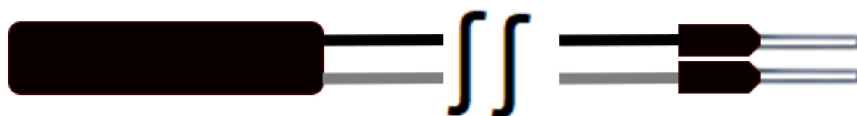
The device must be disposed through channels provided for this purpose

It is mandatory to comply with local currently applying laws and regulations

Dimensional Drawing



Connections



2-wire connection